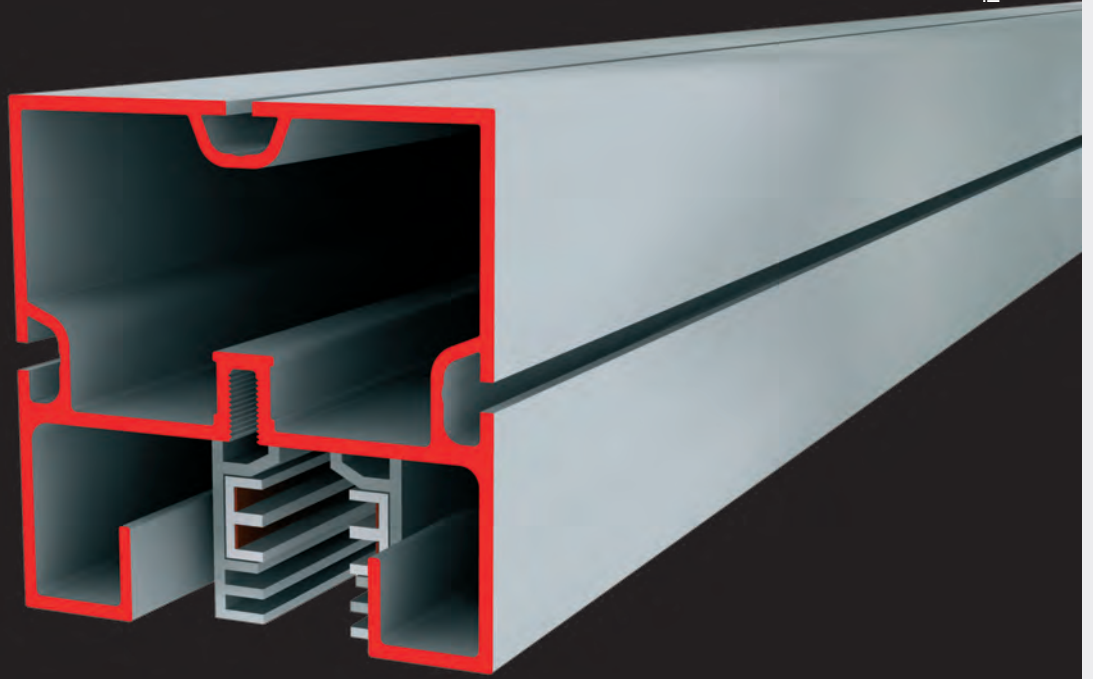


EXTRUSIONS FOR  
MOUNTING LIGHT  
TRACK SYSTEMS.

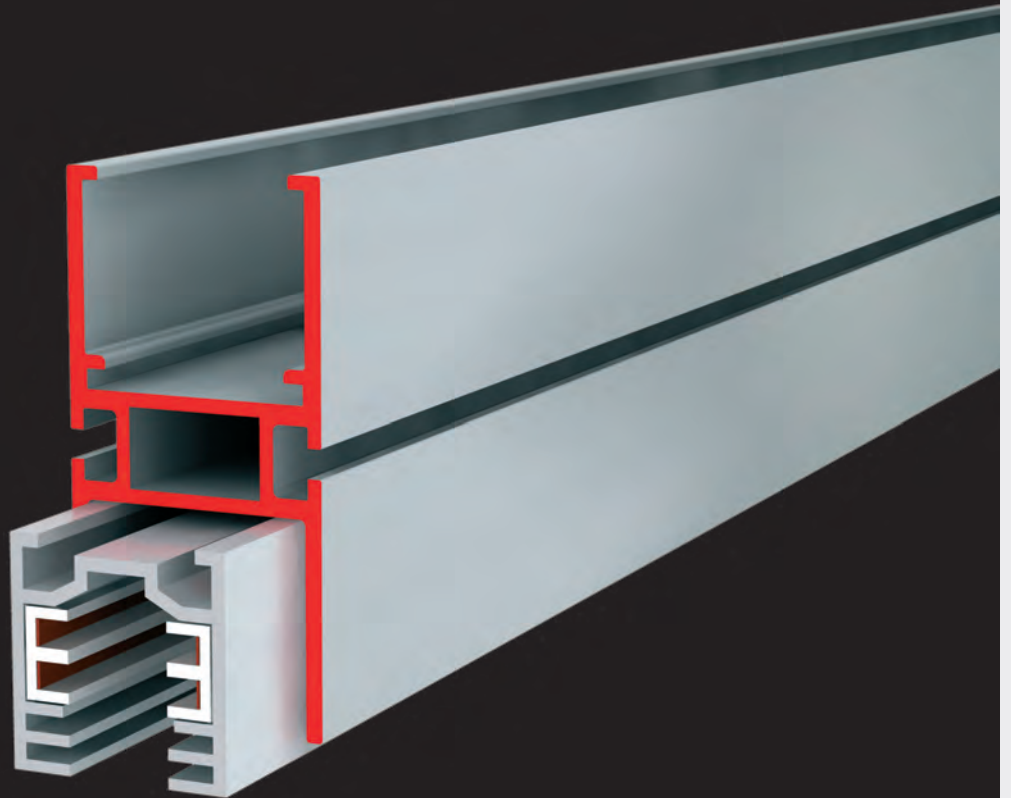
STROMSCHIENEN-  
HALTEPROFIL.

M 1058...



exhibition systems  
interior design systems  
presentation systems

M 1054...



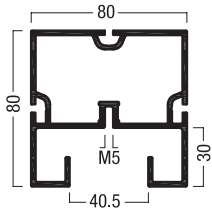
THE  
WORLD  
OF  
SYSTEMS

OCTANORM 

**.PARTS AND  
ACCESSORIES.  
.BAUTEILE UND  
ZUBEHÖR.**

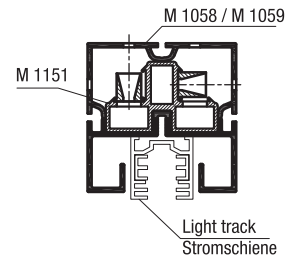
**EXTRUSION FOR MOUNTING LIGHT TRACK SYSTEM  
STROMSCHIENENHALTEPROFIL**

**M 1058.01**



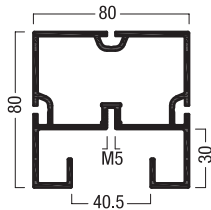
aluminium  
5000 mm long  
29.30 lbs

Aluminium  
5000 mm lang  
13,29 kg



**EXTRUSION FOR MOUNTING LIGHT TRACK SYSTEM  
STROMSCHIENENHALTEPROFIL**

**M 1059.01**

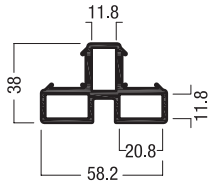


aluminium  
6000 mm long  
35.10 lbs

Aluminium  
6000 mm lang  
15,92 kg

**ADAPTOR EXTRUSION  
ADAPTERPROFIL**

**M 1159.00**

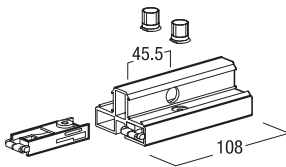


aluminium  
can be used only for square extrusion M 1058 and M 1059  
5000 mm long  
15.39 lbs

Aluminium  
nur für Vierkantprofil M 1058 und M 1059 verwendbar  
5000 mm lang  
6,98 kg

**ADAPTOR FOR CONDUCTOR LINE EXTRUSION  
ADAPTER FÜR STROMSCHIENENPROFIL**

**M 1151.00**

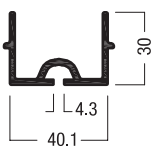


aluminium  
incl. 2 x tension locks Z 961/13,  
2 x bushes and 2 x fixing screws M6,  
for square extrusion M 1058 and M 1059  
0.38 lbs

Aluminium  
mit 2 x Spannschlössern Z 961/13,  
2 x Bedienungsbuchsen und 2 x Befestigungsschrauben M6,  
für Vierkantprofil M 1058 und M 1059  
0,17 kg

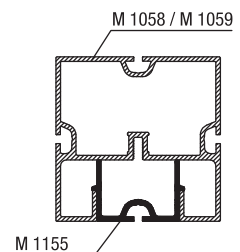
**PANEL RETAINER EXTRUSION  
ABDECKPROFIL**

**M 1155.01**



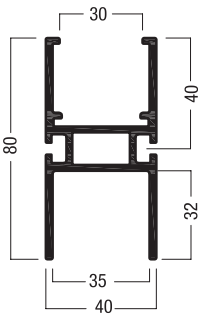
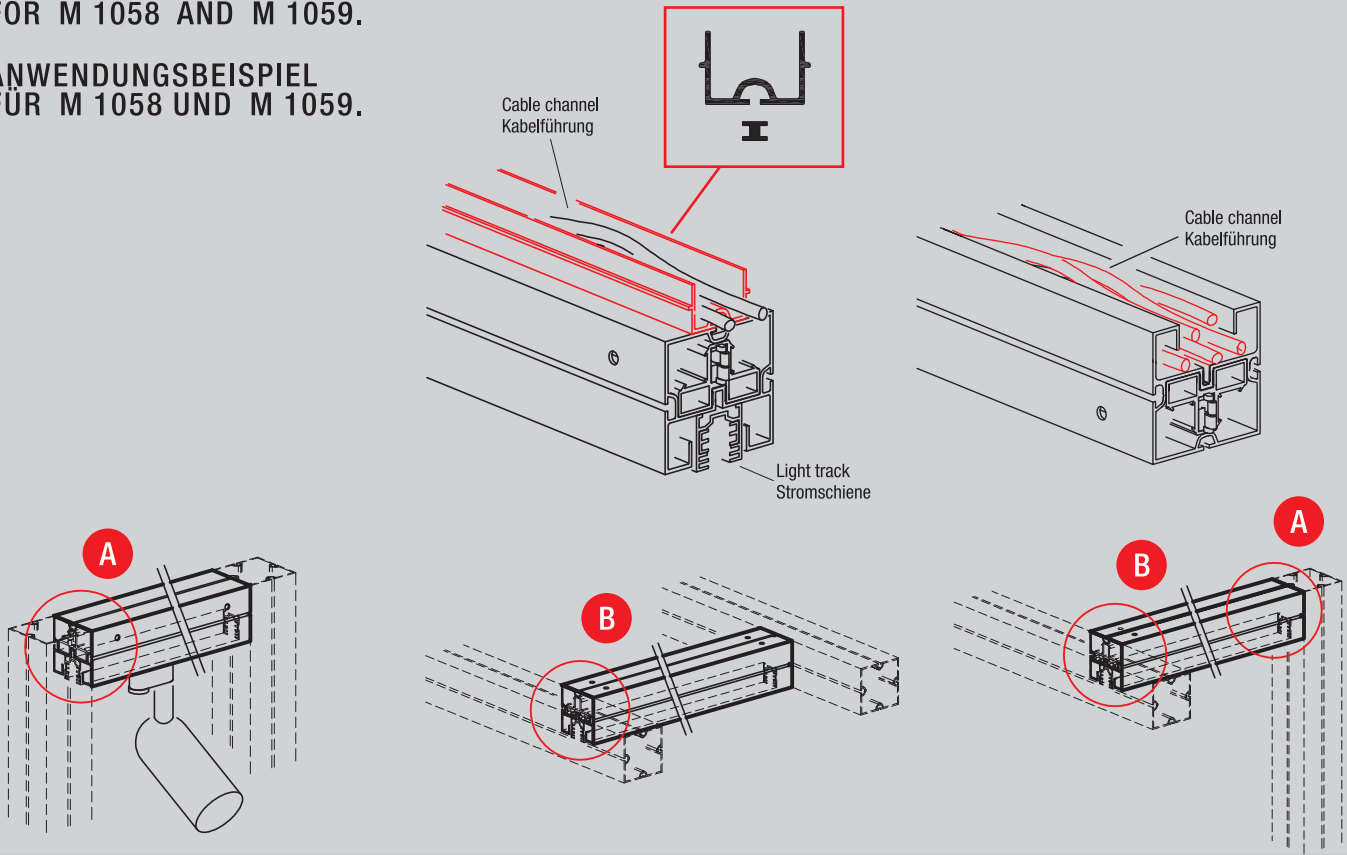
aluminium  
can be used only for square extrusion M 1058 and M 1059  
5000 mm long  
15.39 lbs

Aluminium  
nur für Vierkantprofil M 1058 und M 1059 verwendbar  
5000 mm lang  
6,98 kg



**.APPLICATION EXAMPLE  
FOR M 1058 AND M 1059.**

**.ANWENDUNGSBEISPIEL  
FÜR M 1058 UND M 1059.**

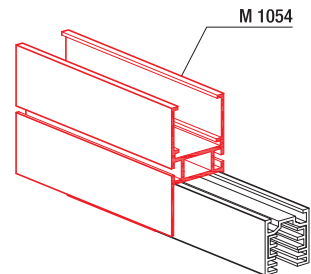


**LIGHT TRACK RETAINER EXTRUSION 40 / 80 MM  
STROMSCHIENEN-HALTEPROFIL 40 / 80 MM**

**M 1054.01**

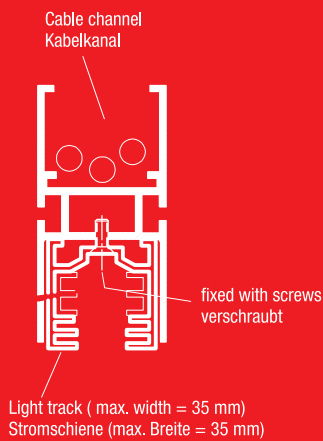
aluminium  
tension lock Z 961/13 can be mounted  
**6000 mm long**  
22.0 lbs

Aluminium  
Einbau des Spannschlösses Z 961/13 möglich  
**6000 mm lang**  
9,98 kg

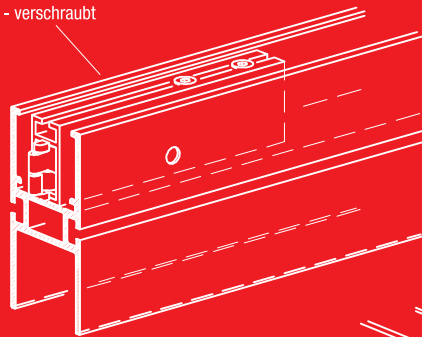


**.APPLICATION EXAMPLE  
FOR M 1054.**

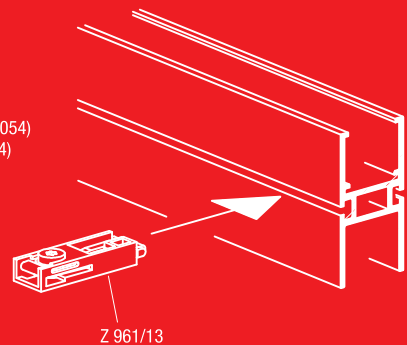
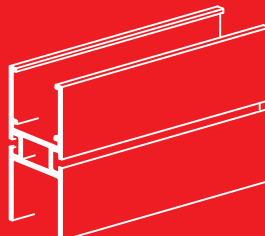
**.ANWENDUNGSBEISPIEL  
FÜR M 1054.**



Z 308/110 mm - fixed with screws  
Z 308/110 mm - verschraubt



Extrusions mounted together (M1054)  
Verbindung Profil an Profil (M1054)



FUNCTION  
& FORM - THAT'S  
OCTANORM.

exhibition systems  
interior design systems  
presentation systems  
cleanroom systems  
software and service

THE INNOVATIVE EXTRUSIONS FOR MOUNTING  
LIGHT TRACK SYSTEMS MADE BY OCTANORM  
MAKE ILLUMINATION AVAILABLE WHERE NEEDED.

DIE INNOVATIVEN STROMSCHIENEN-HALTEPROFILE  
VON OCTANORM BRINGEN DAS LICHT ZUM OBJEKT.

AW 7937\_03\_2009

THE  
WORLD  
OF  
SYSTEMS

[www.octanorm.com](http://www.octanorm.com)

OCTANORM 